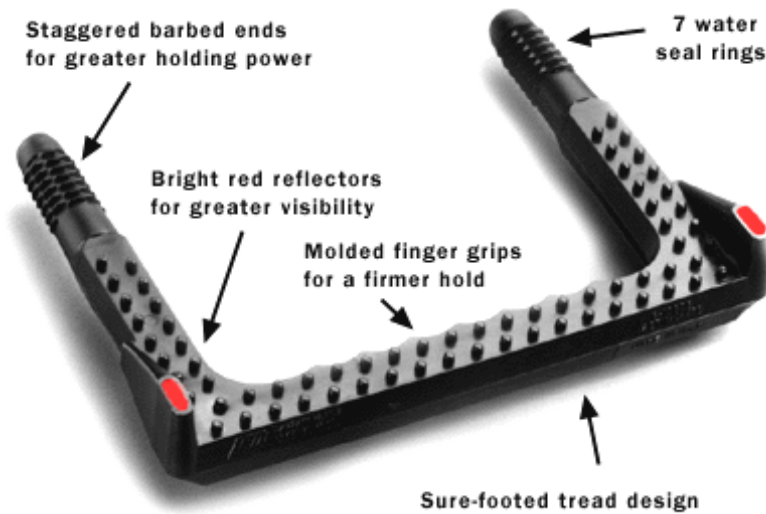




# MANHOLE STEPS

The safest and strongest manhole steps on the market

Quick and easy drive-in installation



## Injection Molded From Tough Copolymer Polypropylene

The innovative Polypropylene Manhole Steps are the first steps to be offered with molded hand grips and bright red reflectors, making it the safest, most innovative product of its kind. Made from tough, weather resistant copolymer polypropylene, the Polypropylene Manhole Step also offers a sure-footed tread design, staggered barbed ends for greater holding power and seven waterseal rings.

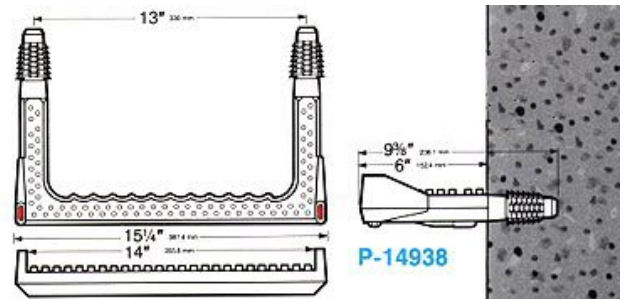
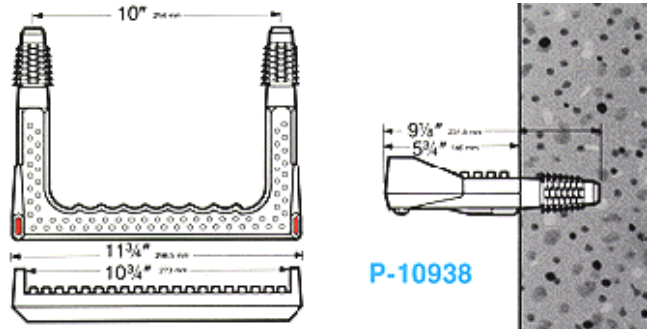
Copolymer Polypropylene is known for its high-impact strength and superior resistance to the corrosive environment found in sewers. The steps are offered in 10" and 13" on center widths.

### Specifications

All Polypropylene Steps meet the requirements of ASTM C-478 and AASHTO M-199. The polypropylene conforms to ASTM D-4101. The 1/2" Grade 60 deformed reinforcing bar meets ASTM A-615.

### Installation

Once the concrete is cured to 3,000 PSI minimum, the steps can be driven into two 1" diameter parallel preformed or drilled holes, 10" or 13" on center, 3 1/2" deep. We recommend using a 6 to 10 lb. sledge hammer to install the step.



The above methods will resist a pullout force exceeding 1,500 lbs.